

# Mechanical Overload Switch

SM4067, SM4068

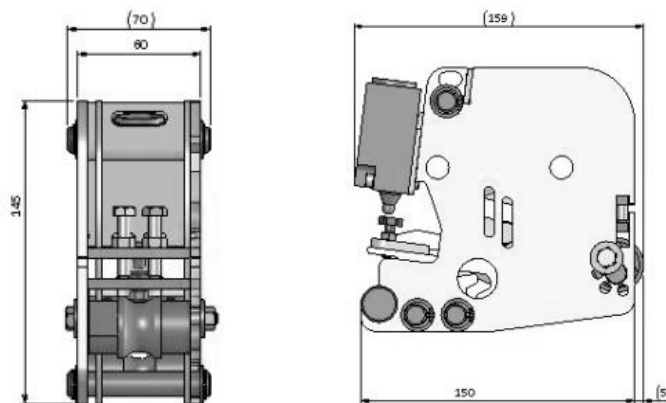


- Designed for load limitation of hoisting devices and cranes.
- The compact size provides a minimal lifting height reduction. L 150 mm.
- Quick and precise installation with simple tools.
- Can easily be adjusted to fit different wire types and capacities.
- Linear force development gives a user-friendly reaction pattern.
- Available with 1 or 2 cut off points.
- Designed and manufactured in Denmark for high quality assurance.



Specifications			
Application areas:	<ul style="list-style-type: none"> <li>• Load limitation of hoisting devices, cranes and overhead cranes. Suitable for a variety of industrial environments, including high-temperature and dusty environments.</li> <li>• Can be used for low and high load limits.</li> </ul>		
Accuracy:	1% FS.		
Materials:	Housing:	Nickel plated steel	
	Springs:	Heat treated spring steel, according to GB/T 13304	
	Axles:	CK45.	
Hysteresis	Max 4% FS		
Operating temperature:	0 to 80 °C. Below 0 °C a heating device is recommended.		
Switch:	UI:	500V	UL Listed
	Utilisator:	AC-15:230V/4A	IEC 60947-5-1
		DC-13: 24V / 1A	

Item No	Wire	Capacity	Weight	Dimensions
SM4067-2	6-13 mm	500-1500 kg. per reeving	2,45 kg.	W70 x H145 x L150
SM4067-4	6-13 mm	1500-3000 kg. per reeving	2,80 kg.	W70 x H145 x L150
SM4067-6	6-13 mm	3000-5000 kg. per reeving	3,15 kg.	W70 x H145 x L150
SM4068-2	13-20 mm	500-1500 kg. per reeving	2,45 kg.	W70 x H145 x L150
SM4068-4	13-20 mm	1500-3000 kg. per reeving	2,80 kg.	W70 x H145 x L150
SM4068-6	13-20 mm	3000-5000 kg. per reeving	3,15 kg.	W70 x H145 x L150



Vetec A/S - Teknikvej 69 - DK-5260 Odense S - Denmark - SE/CVR-no. 27414621

Mail: post@vetec.dk - Phone: 0045 6590 5802