

Crane Dynamometer

- High efficiency and precision in all environments



The stability and speed makes it easy to get the job done. I especially find the peak hold function very useful.
Henrik, Crane Technician



Specifications:

Country of Origin:	Denmark
Capacity:	6,5T, 12,5T, 25T, 55T
Accuracy:	±0,2% FS
Safe overload:	110%
Breaking limit:	500%
Materials:	High strength steel housing. Fe/Zn12 chromite surface treatment according to ISO 2081
IP Class:	IP 67
Display:	Bright LED
Digit height:	14 mm
Digit color:	Red
Operating time:	16-20 hours (Low temperatures will decrease the operating time)
Operation temp.:	-20°C – +50°C
Batteries:	Build-in Li-on
Charger:	High quality USB charger

Accessory options:

WRDXT01	Wireless remote display
---------	-------------------------



V-LINK[®]

Telephone
+45 6590 5802

Mail
post@vetec.dk

Vetec A/S
www.vetec.dk

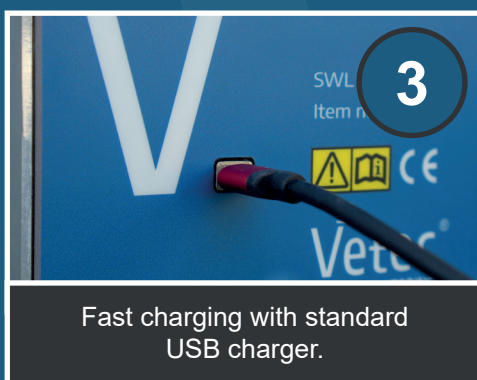
Dynamometer in all situations and environments



Red digits visible at long distances and in bright daylight.



Simple menu structure. Peak hold, tare function and channel selection.



Fast charging with standard USB charger.



Ideal for wet/humid environments. IP67 certification.

Item No:	Capacity (T)	A (mm)	B (mm)	C (mm)	D (mm)	E (mm)	Ø (mm)	Weight (kg.)	Increment (kg.)
670601	6.5	200.00	115.00	117.00	260.00	41.50	31.00	4.47	5
671201	12.5	200.00	115.00	117.00	281.00	41.50	37.30	5.65	10
672501	25	230.00	115.00	117.00	338.00	41.50	54.00	7.56	10
675501	55	282.00	115.00	155.00	440.00	46.00	73.00	16.93	50

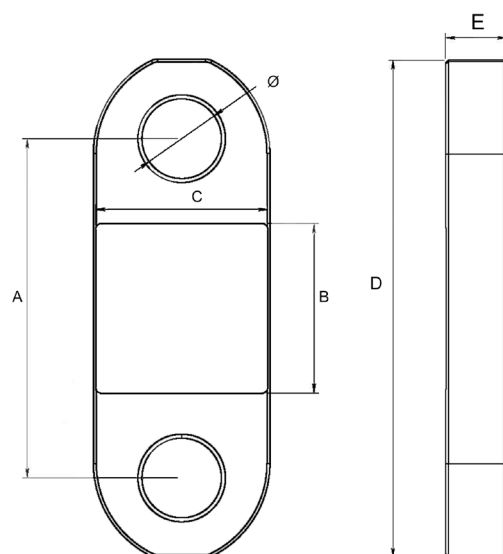
V-LINK

“

Professional support, repair and calibration service.

Premium service agreement as option.”

Thorleifur, Vetec Service Department



Telephone
+45 6590 5802

Mail
post@vetec.dk

Vetec A/S
www.vetec.dk