



**IMPROVE**  
LOAD CONTROL

**REDUCE**  
THE RISK OF ACCIDENT

**PREVENT**  
OVERLOAD

**LIFT**  
EFFICIENTLY

**Vetec**  
LOAD MONITORING

## V-LINK Dynamometer

670601, 671201, 672501, 675501

- Highly accurate and reliable,  $\pm 0,2\%$  FS accuracy.
- Very clear red digit LED display. Visible at long distances / in bright daylight.
- IP Class 67. Ideal for wet/humid environments.
- Robust high strength steel construction for use in hostile environments.
- Supplied with full certificate of calibration.
- Delivered in smart carry case from hard ABS plastic.
- Designed and manufactured in DK for high quality assurance.

**V-LINK**



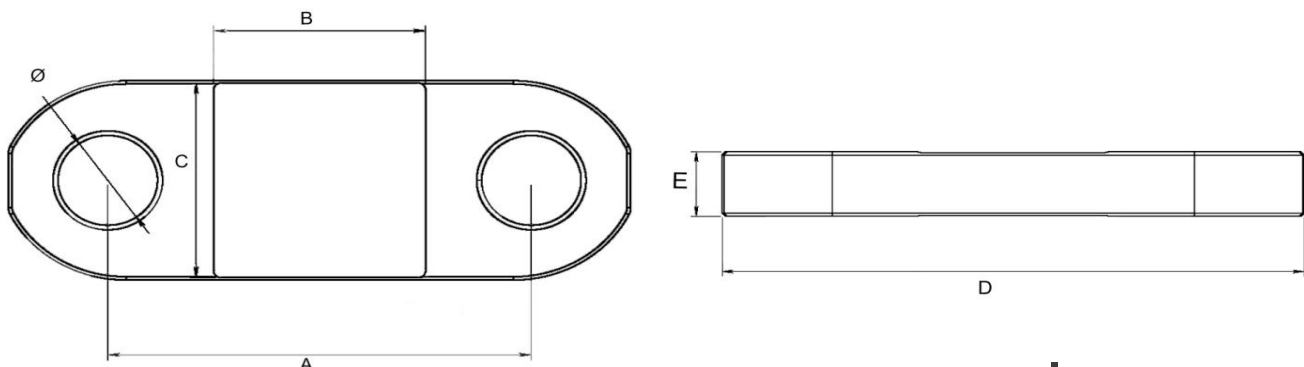
### Specifications:

Application:	Crane and hoist calibration and proof load testing
Capacity:	6.5T, 12.5T, 25T, 55T
Accuracy:	$\pm 0,2\%$ FS
Safe overload:	110%
Breaking limit	500%
Materials:	High strenght steel housing. Fe/Zn12 Chromit surface treatment according to ISO 2081
IP class:	IP 67
Display:	Bright LED
Digit height:	14 mm
Digit color:	Red
Operating time:	16-20 hours (Operating at low temperatures will decrease the operating time)
Operation temp.:	-20°C - +50°C
Batteries:	Build-in Li-on
Charger:	High quality USB charger

Item No:	Capacity(T)	A(mm)	B(mm)	C(mm)	D(mm)	E(mm)	Ø(mm)	Weight(kg.)	Incre.(kg.)
670601	6.5	200.00	115.00	117.00	260.00	41.50	31.00	4.47	5
671201	12.5	200.00	115.00	117.00	281.00	41.50	37.30	5.65	10
672501	25	230.00	115.00	117.00	338.00	41.50	54.00	7.56	10
675501	55	282.00	115.00	155.00	440.00	46.00	73.00	16.93	50

### Accessory options:

WRDTX01 Wireless remote display



**Address**  
Lucernemarken 18 A  
DK-5260 Odense S

**Bank**  
Nykredit Bank

**Bank Account**  
DKK 8117-4522421  
EUR 8117-9653680

**IBAN no.**  
DKK DK7681170004522421  
EUR DK1981170009653680

**SWIFT code**  
NYKBDKXX

**VAT no.**  
27414621

**www.vetec.dk**

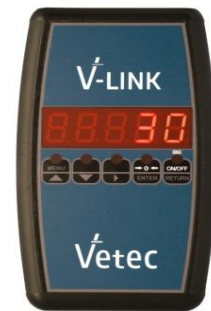
**Telephone**  
+45 6590 5802

**Mail**  
post@vetec.dk

## Remote Display, Wireless

WRD TX01

- Handheld display for V-LINK Dynamometer.
- Enables measurements to be read from long distances and moving objects.
- Up to 99 Dynamometers with remote display can be used in the same area.
- Very easy to use. Highly reliable and comfortable.



**V-LINK**

### Specifications:

Application areas:	For use with V-LINK Dynamometer only
Range:	150 meters in free range
Number of channels:	99
Standard frequency:	869.750 Mhz
Communication form:	Duplex
RF output power:	10 mW
IP class:	IP65
Operating time:	16-20 hours
Operating temp.:	From -20°C - +50°C
Batteries:	Build-in LI-ON
Charger:	Standard USB charger, (also used for V-LINK Dynamometer)

Item No:	Dimensions	Weight (kg.)
WRD TX01	H145 x L88 x W23 mm	0.15

**Address**  
Lucernemarken 18 A  
DK-5260 Odense S

**Bank**  
Nykredit Bank

**Bank Account**  
DKK 8117-4522421  
EUR 8117-9653680

**IBAN no.**  
DKK DK7681170004522421  
EUR DK1981170009653680

**SWIFT code**  
NYKBDKDK

**VAT no.**  
27414621

2  
**www.vetec.dk**

**Telephone**  
+45 6590 5802

**Mail**  
post@vetec.dk

# Load Limiter / Mechanical Overload Switch

SM4067, SM4068

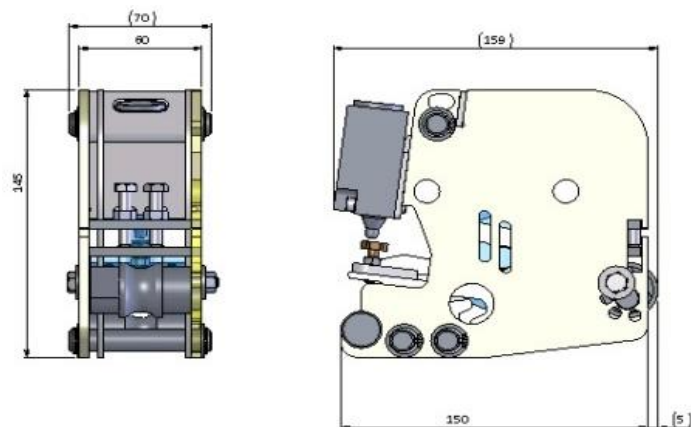
- Designed for load limitation of hoisting devices and cranes.
- The compact size provides a minimal lifting height reduction. L150 mm.
- Quick and precise installation with simple tools.
- Can easily be adjusted to fit different wire types and capacities.
- Linear force development gives a user-friendly reaction pattern.
- Available with 1 or 2 cut off points.
- Designed and manufactured in DK for high quality assurance.



## Specifications:

Application areas:	<ul style="list-style-type: none"> <li>• Load limitation of hoisting devices, cranes and overhead cranes. Suitable for a variety of industrial environments, including high-temperature and dusty environments.</li> <li>• Can be used for both low and high load limits.</li> </ul>		
Accuracy:	1% FS.		
Materials:	Housing:	Nickel plated steel.	
	Springs:	Heat treated spring steel, according to GB/T 13304.	
	Axles:	CK45.	
Hysteresis:	Max 4% FS		
Operating temp.:	0 to 80°C. Below 0°C a heating device is recommended.		
Switch:	UI:	500V	UL Listed.
	Utilisator:	AC-15:230V/4A	IEC 60947-5-1
		DC-13: 24V / 1A	

Item No:	Wire	Capacity	Weight	Dimensions
SM4067-2	6-13 mm	500-1500 kg. per reeving	2,45 kg.	W70 x H145 x L150
SM4067-4	6-13 mm	1500-3000 kg. per reeving	2,80 kg.	W70 x H145 x L150
SM4067-6	6-13 mm	3000-5000 kg. per reeving	3,15 kg.	W70 x H145 x L150
SM4068-2	13-20 mm	500-1500 kg. per reeving	2,45 kg.	W70 x H145 x L150
SM4068-4	13-20 mm	1500-3000 kg. per reeving	2,80 kg.	W70 x H145 x L150
SM4068-6	13-20 mm	3000-5000 kg. per reeving	3,15 kg.	W70 x H145 x L150



**Address**  
Lucernemarken 18 A  
DK-5260 Odense S

**Bank Account**  
DKK 8117-4522421  
EUR 1117-9653680

**SWIFT code**  
NYKBDDKK

**Bank**  
Nykredit Bank

**IBAN no.**  
DKK DK7681170004522421  
EUR DK1981170009653680

**VAT no.**  
27414621

[www.vetec.dk](http://www.vetec.dk)

**Telephone**  
+45 6590 5802

**Mail**  
post@vetec.dk

## Static Line Tensiometer

WT1-N, WT2-N

- Combined load indication and load limitation system for hoisting devices, cranes and overhead cranes.
- Electronic clamp-on tensiometer, universal fit.
- Highly accurate and reliable,  $\pm 1\%$  FS accuracy.
- Minimal lifting height reduction. Down to L100 mm.
- Quick and easy to install on the dead end of the wire rope.
- Designed and manufactured in DK for high quality assurance.



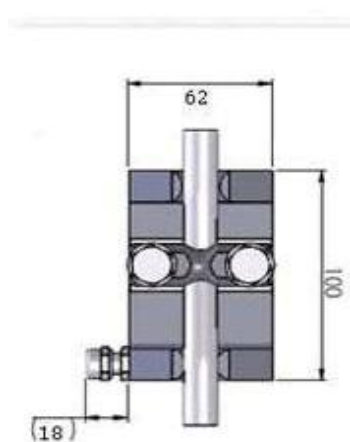
### Specifications:

Accuracy:	$\pm 1\%$ FS
On unit:	0.1% FS
Mounted:	0.1% x wire diameter x2.
Output:	2.0 Nom MV/V balanced signal.
Material:	Alu 7075
Temperature:	0,0011 MV/C
Input:	EXC. 5-10 VDC
Cable:	3 mtrs. (Up to 15 mtrs. as option)

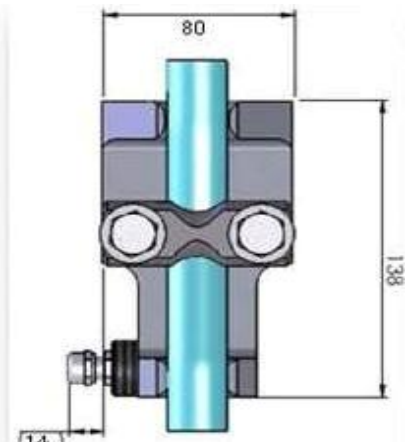
Item No:	Wire (mm)	Capacity (T)	Dimensions (mm)	Weight (kg.)
WT1-N	6-15 mm	5T per reeving	L100 x W62 x H65	0.8 kg.
WT2-N	14-28 mm	10T per reeving	L138x W80 x H85	1.5 kg.

### Complete systems:

Load limitation	WT1-N / WT2-N + T1-L-RS485	Tensiometer + Weight transmitter
Load indication and limitation	WT1-N / WT2-N + P1001 / D1002 / D1004	Tensiometer + Display w. Amplifier



WT1-N



WT2-N

**Address**  
Lucernemarken 18 A  
DK-5260 Odense S

**Bank**  
Nykredit Bank

**Bank Account**  
DKK 8117-4522421  
EUR 8117-9653680

**IBAN no.**  
DKK DK7681170004522421  
EUR DK1981170009653680

**SWIFT code**  
NYKBDDKK

**VAT no.**  
27414621

**www.vetec.dk**

**Telephone**  
+45 6590 5802

**Mail**  
post@vetec.dk



# Heavy Duty Tensiometer

WT3

- Combined load indication and load limitation system for hoisting devices and cranes with large wires.
- Electronic clamp-on tensiometer, universal fit.
- Highly accurate and reliable,  $\pm 1\%$  FS accuracy.
- Fully welded stainless steel construction.
- Quick and easy to install on the dead end of the wire rope.
- Supplied with 10 mtrs. cable.



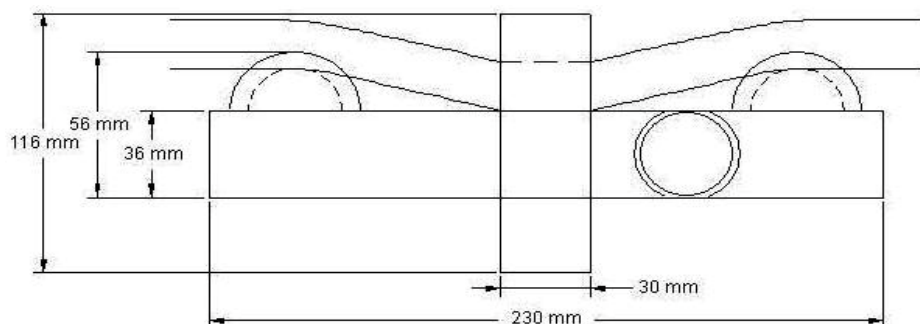
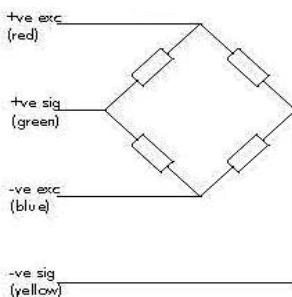
## Specifications:

Full Load Output:	1.0 nom mV/V
Zero Load Output:	$<\pm 5.0\%$
Excitation (Max):	10 (15) V
Accuracy:	$\pm 1\%$ FS
Repeatability:	$<0.25\%$
Input Resistance:	375 ( $\pm 20$ ) $\Omega$
Output Resistance:	350 ( $\pm 2$ ) $\Omega$
Compensated Temp. Range:	$-10^\circ$ to $40^\circ\text{C}$
Operating Temp. Range:	$-20^\circ$ to $60^\circ\text{C}$
Temp. Coefficient on Zero:	$<0.0010\%$ Capacity/ $^\circ\text{C}$
Temp. Coefficient on Span:	$<0.0010\%$ Capacity/ $^\circ\text{C}$
Safe Overload:	150%
Insulation:	$>500 @ 100\text{Vdc M}\Omega$
IP Class:	IP68

Item No:	Wire (mm)	Capacity (kg.)	Dimensions (mm)
WT3-27-28	27-28	9700	L230 x H116
WT3-29-32	29-32	12600	L230 x H116
WT3-33-35	33-35	15100	L230 x H116
WT3-36-38	36-38	17900	L230 x H116

## Complete systems:

Load limitation	WT3 + T1-L-RS485	Tensiometer + Amplifier
Load indication and limitation	WT3 + P1001 / D1002 / D1004	Tensiometer + Display w. Amplifier



**Address**  
Lucernemarken 18 A  
DK-5260 Odense S

**Bank**  
Nykredit Bank

**Bank Account**  
DKK 8117-4522421  
EUR 8117-9653680

**IBAN no.**  
DKK DK7681170004522421  
EUR DK1981170009653680

**SWIFT code**  
NYKBDKDK

**VAT no.**  
27414621

**www.vetec.dk**

**Telephone**  
+45 6590 5802

**Mail**  
post@vetec.dk

# Running Line Tensiometer

RLT

- Combined load indication and load limitation system for moving wires.
- Accuracy down to 1%.
- Heavy duty ball bearing construction.
- Hardened stainless load pin.
- 3 standard housing models.
- Wide assortment of mounting accessories.
- Available in galvanised steel for corrosive environments.



## Specifications:

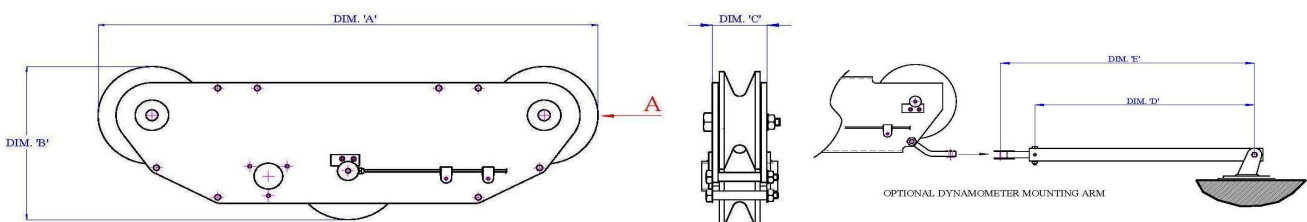
Capacity:	1-1000T according to customer specifications.
Wire size:	13-38 mm
Output signal:	1mv/v at full load
IP Class:	IP67
Relative humidity:	>98%
Operating Temp.:	-20°C to +60°C. Under 0°C a heating device is recommended.

Item No:	Wire (mm)	A (mm)	B (mm)	C (mm)	Weight (kg.)
RLT13	13	720	225	180	14.5
RLT16	16	720	225	180	21.5
RLT19	19	720	225	180	21.5
RLT22	22	810	270	186	37
RLT25	25	810	270	186	37
RLT28	28	810	270	186	37
RLT32	32	963	297	188	56
RLT35	35	963	297	188	56
RLT38	38	963	297 <td 188	56	

Accessory options:	Wire (mm)	D (mm)	E (mm)	Weight (kg.)
RLT PAYOUTCOUNTER	Payout counter			
RTL MOUNTINGARM1	13-19	810	1270	11
RTL MOUNTINGARM2	22-28	850	1320	11
RTL MOUNTINGARM3	32-38	850	1320	15

## Complete systems:

Load limitation	RLT + T1-L-RS485	Tensiometer + Amplifier
Load indication and limitation	RLT + P1001 / D1002 / D1004	Tensiometer + Display w. Amplifier



6

**Address**  
 Lucernemarken 18 A  
 DK-5260 Odense S

**Bank Account**  
 DKK 8117-4522421  
 EUR 8117-9653680

**SWIFT code**  
 NYKBDKDK

**Bank**  
 Nykredit Bank

**IBAN no.**  
 DKK DK7681170004522421  
 EUR DK1981170009653680

**VAT no.**  
 27414621

**www.vetec.dk**

**Telephone**  
 +45 6590 5802

**Mail**  
 post@vetec.dk

## Load Pin

LOADPIN-19000

- Combined load indication and load limitation system for hoisting devices, cranes and overhead cranes.
- Designed according to customers specifications as direct replacement for load bearing pins in lifting equipment.
- Provides the highest accuracy within weighing,  $\pm 0.1\%$  FS accuracy.
- Robust stainless steel construction. IP68.



### Specifications:

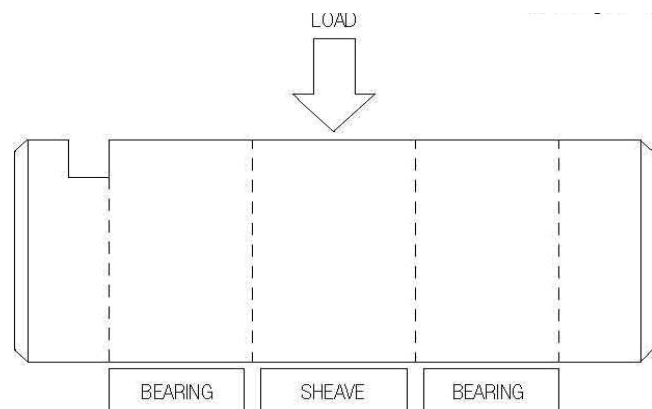
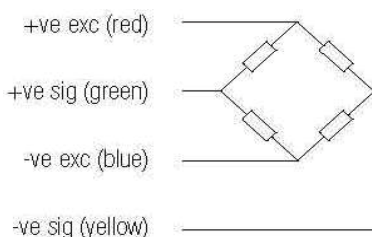
Capacity:	0.1 to 1000T
Proof load:	150 % of rated load
Ultimate breaking load:	500 % of rated load
Bridge resistance:	350/700/1000 ohms
Excitation:	5 to 10 volts (dc)
Output:	1.0 to 1.5 mV/V
Non-linearity:	$\pm 1\%$ typical
Non-repeatability:	$\pm 0.04\%$ optimum
IP class:	IP67
Operating temp.:	-20° to 70° C
Temp. Coefficient on Zero:	<0.02 % Capacity/°C
Temp. Coefficient on Span:	<0.02 % Capacity/°C
Signal cable:	5 mtrs. Polyurethane 4 core

### Complete systems:

Load limitation	LOADPIN + T1-L-RS485	Tensiometer + Amplifier
Load indication and limitation	LOADPIN + P1001 / D1002 / D1004	Tensiometer + Display w. Amplifier

### Options:

- Special anti-rotation / locking plates · Second redundancy gauge bridge · Internal signal amplifier
- Single shear pins fully welded · Submersible · Internal greaseways plug / socket breakdown at pi



**Address**  
Lucernemarken 18 A  
DK-5260 Odense S

**Bank**  
Nykredit Bank

**Bank Account**  
DKK 8117-4522421  
EUR 8117-9653680

**IBAN no.**  
DKK DK7681170004522421  
EUR DK1981170009653680

**SWIFT code**  
NYKBDKDK

**VAT no.**  
27414621

8  
**www.vetec.dk**

**Telephone**  
+45 6590 5802

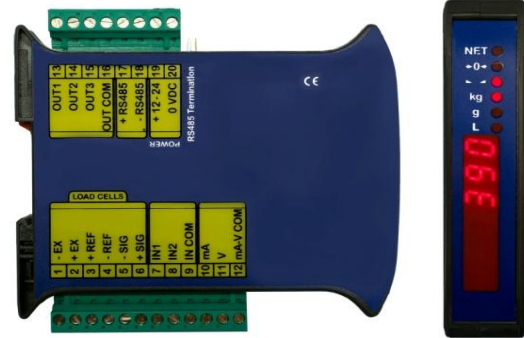
**Mail**  
post@vetec.dk



## Weight Transmitter and Indicator

T1-L-RS485

- For overload protection on hoist, winches in lifting or crane applications.
- 6 digit LED display. 8mm digit height.
- Terminals for 4 or 6 wire load cell.
- 3 individual cut off points.
- For din rail mounting.



### Specifications:

Divisions range:	0.2 $\mu\text{V}/\text{VSI}$ , 10.000
Divisions range for internal use:	0.01 $\mu\text{V}/\text{VSI}$ , 10.000
Opto-isolated 16-bit analog output:	4-20mA (max 300 ohm), 0-20mA, 0-10V, +/-10V, 0-5V, +/-5V (min. 10 Kohm))
Power supply and consumption:	12-24 VDC +/- 10% ; 5W
Number of Load Cells in parallel:	max 8 (350 ohm)
Supply:	5VDC/120mA
Linearity and linearity of the analog output:	<0.01% Full Scale; <0.01% Full Scale
Thermal drift and thermal drift of the analog output:	<0.0005 % Full Scale ; /°C ; <0.003% Full Scale /°C
A/D converter:	24 bit (ca 16.000.000 point) 4.8 kHz
Max divisions (measure range: +/- 10mV =2mV/V):	+/- 999999
Measure range:	+/- 39 mV
Max Load Cell sensitivity:	+/- 7 mV/V
Max conversions per second:	300 conversions/sec. (300Hz)
Display range:	- 999999; + 999999
Decimals / Display increments:	0-4 ; x 1 x 2 x 5 x 10 x 20 x 50 x 100
Digital filter / Conversion rate:	0.012 - 7 sec ; 5-300 Hz
Logic relay outputs:	N.3 - maximum 115 VAC / 150mA
Logic inputs:	N.2 - opto-isolated 5-24 VDC PNP
Serial port:	RS485 (ASCII or Modbus RTU)
Baud rate:	2400, 4800, 9600, 19200, 38400, 115200
Humidity (condensate free):	85%
Storage temp.:	-30°C + 80°C
Working temp.:	-20°C + 60°C
Working temp.: (CE-M APPROVED):	-10°C + 40°C

Item No:	Description	Dimensions (W x L x H)
T1-L-RS485	Weight transmitter analog / DIN rail	25 x 115 x 120 mm

### Accessory options:

Accessory options:	Description
T1-PSU-AC	For use with 100-240VAC supply

**Address**  
 Lucernemarken 18 A  
 DK-5260 Odense S

**Bank**  
 Nykredit Bank

**Bank Account**  
 DKK 8117-4522421  
 EUR 8117-9653680

**IBAN no.**  
 DKK DK7681170004522421  
 EUR DK1981170009653680

**SWIFT code**  
 NYKBDDKK

**VAT no.**  
 27414621

22  
[www.vetec.dk](http://www.vetec.dk)

**Telephone**  
 +45 6590 5802

**Mail**  
 post@vetec.dk

## Panel Meter

P1001/6

- Vetec Panel Meter Display is ideal in combination with load cells.
- Clear, variable brightness display.
- Provided with and without Relay output (alarms) and special output options.
- Very easy to programme and use. No-menu programming.
- High precision and long term reliability.



### Specifications:

Digits:	6 digits. 14 mm digit height.
Viewing:	Up to 7m away.
Input signals:	<ul style="list-style-type: none"> <li>• Load cells</li> <li>• 4-20mA, 0-10V, 1-5V etc.</li> <li>• Serial Data RS232, RS485 etc.</li> </ul>
Output options:	<ul style="list-style-type: none"> <li>• 2 or 4 alarms SPST relays, 2x SPDT.</li> <li>• 4-20mA, 0-10V or -10 to +10 analog.</li> <li>• RS232, RS485, Modbus, Ethernet. RTU Modbus for Tiger G2.</li> </ul>
IP Class:	IP65 front.
Materials:	1/8 DIN format case. Black polycarbonate.
Case dimensions:	W 96 x H 48 x L136 mm, ( $\pm 1$ mm)

Item No.:	Digits	Digit height	Power Supply	Analogue Output	Relay Output
P1001/6-L-R-AC-0	6	14 mm	95-265 VAC	-	0
P1001/6-L-R-DC-0	6	14 mm	11-30 VDC	-	0
P1001/6-L-ANI-R-AC	6	14 mm	95-265 VAC	4-20 mA	0
P1001/6-L-ANI-R-DC	6	14 mm	11-30 VDC	4-20 mA	0

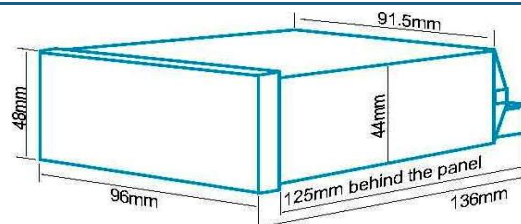
Item No.:	Digits	Digit height	Power Supply	Analogue Output	Relay Output
P1001/6-L-AL2-R-AC	6	14 mm	95-265 VAC	-	2
P1001/6-L-AL2-R-DC	6	14 mm	11-30 VDC	-	2
P1001/6-L-ANI-AL2-R-AC	6	14 mm	95-265 VAC	4-20 mA	2
P1001/6-L-ANI-AL2-R-DC	6	14 mm	11-30 VDC	4-20 mA	2

Item No.:	Digits	Digit height	Power Supply	Analogue Output	Relay Output
P1001/6-L-ANI-R-AC	6	14 mm	95-265 VAC	4-20 mA	0
P1001/6-L-485-R-AC	6	14 mm	95-265 VAC	RS485	0
P1001/6-L-RTU-R-AC	6	14 mm	95-265 VAC	MODBUS RTU (Tiger)	0
P1001/6-L-A2-RTU-R-AC	6	14 mm	95-265 VAC	MODBUS RTU (Tiger)	2

\* The listed examples are all with load cell input.

Other displays can be provided to meet specific requirements and applications.



**Address**  
Lucernemarken 18 A  
DK-5260 Odense S

**Bank**  
Nykredit Bank

**Bank Account**  
DKK 8117-4522421  
EUR 8117-9653680

**IBAN no.**  
DKK DK7681170004522421  
EUR DK1981170009653680

**SWIFT code**  
NYKBDKDK

**VAT no.**  
27414621

[www.vetec.dk](http://www.vetec.dk)

**Telephone**  
+45 6590 5802

**Mail**  
post@vetec.dk

## Large Display

D1002, D1004

- Vetec Large Display is ideal in combination with load cells.
- Provided with and without Relay Output (alarms) and special output options.
- Remote setting from ground level.
- Very easy to programme and use. No-menu programming.



### Specifications:

Digits:	Available with 4 and 6 digits.
Input signals:	<ul style="list-style-type: none"> <li>• Load cells.</li> <li>• 4-20mA, 0-10V, 1-5V etc.</li> <li>• Serial Data RS232, RS485, 422 etc.</li> </ul>
Output options:	<ul style="list-style-type: none"> <li>• 2 or 4 alarms SPST relays, 2x SPDT.</li> <li>• 4-20mA, 0-10V or -10 to +10 analog.</li> <li>• RS232, RS485, Ethernet data output.</li> </ul>
IP Class:	IP65 for bottom glands, IP54 for top.
Materials:	Black polycarbonate.

Examples, all with load cell input.

Item No.:	Digits	Digit height	Viewing	Power Supply	Relay Output	Analogue Output
D1002/4-L-R-AC-3	4	57 mm	25 mtrs.	95-265 VAC	0	-
D1004/4-L-R-AC-3	4	102 mm	50 mtrs.	95-265 VAC	0	-
D1004/6-L-R-AC-3	6	102 mm	50 mtrs.	95-265 VAC	0	-
D1004/6-L-R-48VAC-3	6	102 mm	50 mtrs.	48 VAC	0	-
Item No.:	Digits	Digit height	Viewing	Power Supply	Relay Output	Analogue Output
D1002/4-L-AL2-R-AC-3	4	57 mm	25 mtrs.	95-265 VAC	2	-
D1004/4-L-AL2-R-AC-3	4	102 mm	50 mtrs.	95-265 VAC	2	-
D1004/6-L-AL2-R-AC-3	6	57 mm	25 mtrs.	95-265 VAC	2	-
D1004/6-L-AL2-R-48-3	6	102 mm	50 mtrs.	48 VAC	2	-
Item No.:	Digits	Digit height	Viewing	Power Supply	Relay Output	Analogue Output
D1004/4-L-ANI-AC-3	4	102 mm	50 mtrs.	95-265 VAC	0	4-20Ma
D1004/4-L-485-AC-3	4	102 mm	50 mtrs.	95-265 VAC	0	RS485
D1004/4-L-A2-RTU-AC-3	4	102 mm	50 mtrs.	95-265 VAC	2	MODBUS RTU
D1004/6-L-A2-RTU-AC-3	6	102 mm	50 mtrs.	95-265 VAC	2	MODBUS RTU

\* Other displays can be provided to meet specific requirements and other applications.

**Address**  
Lucernemarken 18 A  
DK-5260 Odense S

**Bank**  
Nykredit Bank

**Bank Account**  
DKK 8117-4522421  
EUR 8117-9653680

**IBAN no.**  
DKK DK7681170004522421  
EUR DK1981170009653680

**SWIFT code**  
NYKBDKDK

**VAT no.**  
27414621

24  
**www.vetec.dk**

**Telephone**  
+45 6590 5802

**Mail**  
post@vetec.dk



# Vetec

LOAD MONITORING



Lucernemarken 18a  
DK-5260 Odense S  
Denmark

Phone: +45 6590 5802  
E-mail: [post@vetec.dk](mailto:post@vetec.dk)